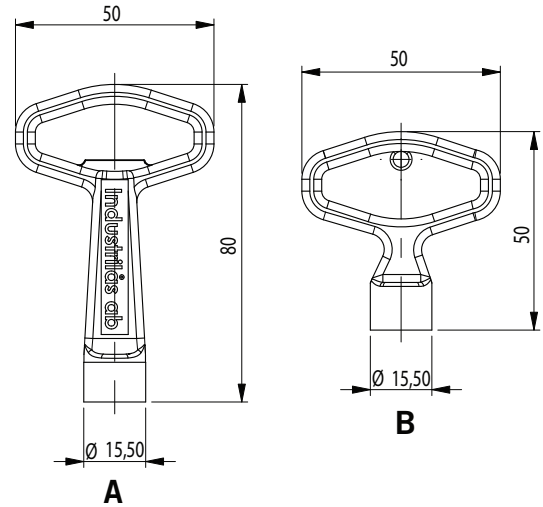
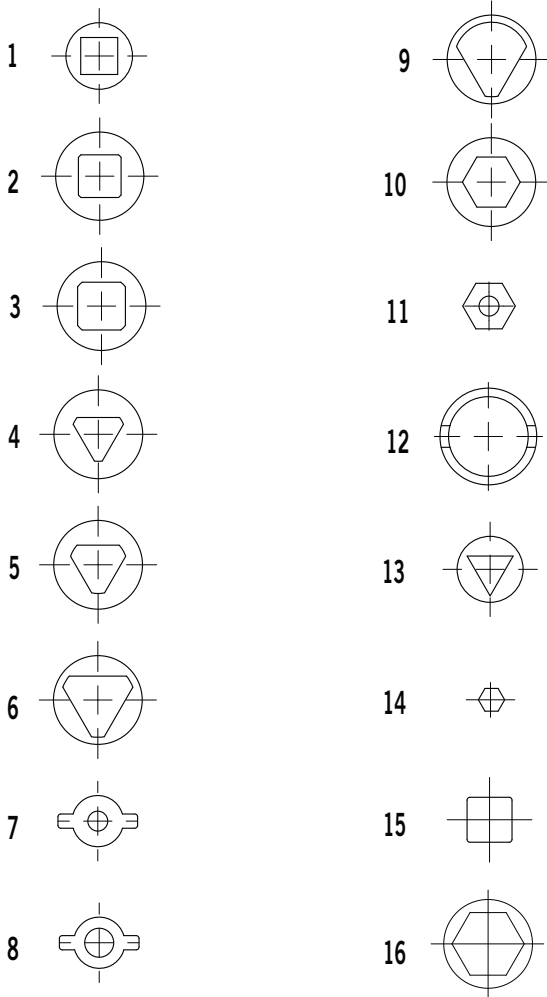


- 1 Rod latch systems
- 2 Quarter-turns
- 3 Hinges
- 4 Sealing profiles
- 5 Miscellaneous
- 6 Stainless



KEYS FOR QUARTER-TURN LATCHES

Keys for quarter-turn latches and latching systems. Long version incorporates a bottle opener. Both key types can be produced with your company logotype on one or both sides.

MATERIAL:
Zinc die-cast, zinc plated. Other surface treatments on request.

KEYS FOR QUARTER-TURN LATCHES					
P/N	Long version	Drawing	P/N	Short version	Drawing
291101	Square 6	1	291109	Square 6	1
291102	Square 7	2	291110	Square 7	2
291103	Square 8	3	291111	Square 8	3
291104	Triangle 7	4	291113	Triangle 7	4
291105	Triangle 8	5	291114	Triangle 8	5
291106	Triangle 10	6	291115	Triangle 10	6
291107	Double Bit 3	7	291116	Double Bit 3	7
291108	Double Bit 5	8	291117	Double Bit 5	8
291122	Triangle 10 mm radius	9	291136-B8	Recessed hexagon 8 with 3 mm pin	11
291125	Hexagon 8.5 mm	10	291112	Triangle 6.5	13
291136-A8	Recessed hexagon 8 with 3 mm pin	11	291136	Hexagon 4	14
291141	Recessed square 8	15			
291140	Stockholm Energy	12			
291143	Hexagon 11	16			